



### Description

Delta Flexi Dri Plus Plugs are patented expandable watertight fixing plugs that have a central drive shank with a pre-fitted sealing grommet. Ideally suited for installation into softer more friable substrates.

Delta Flexi Dri Plus Plugs are a handy hammer-in fixing which has a centrally located watertight pin, when driven in, allows the fixing plug to expand into the substrate allowing the Delta Flex Dri Plus Plug to have a firm grip.

The Delta Flexi Dri Plus Plug has an internal shank that accommodates a 5mm dia./size 10 screw at a maximum depth of 30mm for subsequent installation of wall ties and or dry lining systems (10mm shank x 90mm).

### Features

- Expandable watertight fixing
- Hammer-in fixing
- Quick and effect install
- Can expand without splitting
- Firm fix into substrates
- Excellent for use in soft friable substrates

### Specification

- BS 8102:2022 Protection of below ground structures against water ingress. Code of practice.
- Ancillary product for Delta Cavity Drain System

### Associated Products

- Delta PT Delta PT
- Delta PT 3mm
- Delta MS 500

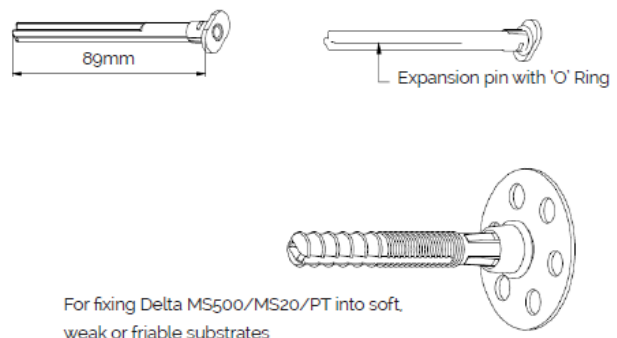
### Product Details

DMS 239

### Technical Data

Delta Flexi Dri Plus Plugs	
DMS	239
Colour	White with yellow pin
Size	10mm x 90mm shank
Contents/Packaging	Box of 100
Drill Bit Size	10mm

### Technical Drawing - DW-133-1-(F)



### Other Information

All data and information contained in these Product/Technical Data Sheets is up-to-date and correct as at the date of issue. The information given is suggested as guidance and should only be used for evaluating your specific application. Delta Membrane Systems Limited cannot control or anticipate the conditions under which this product may be used, each user should review the information in specific context of the planned use. The information contained in these Product/Technical Data Sheets should not be considered a warranty, expressed, or implied, including but not limited to a warranty of merchantability or fitness for a particular purpose. In no event shall Delta Membrane Systems Limited be liable for any incidental or consequential damages resulting from the use, misuse, or inability to use the product. This exclusion applies regardless of whether such damages are sought based on breach of warranty, breach of contract, negligence, strict liability in tort, or any other legal theory. When in doubt, contact Delta's Technical Team on 01992 523 523.

